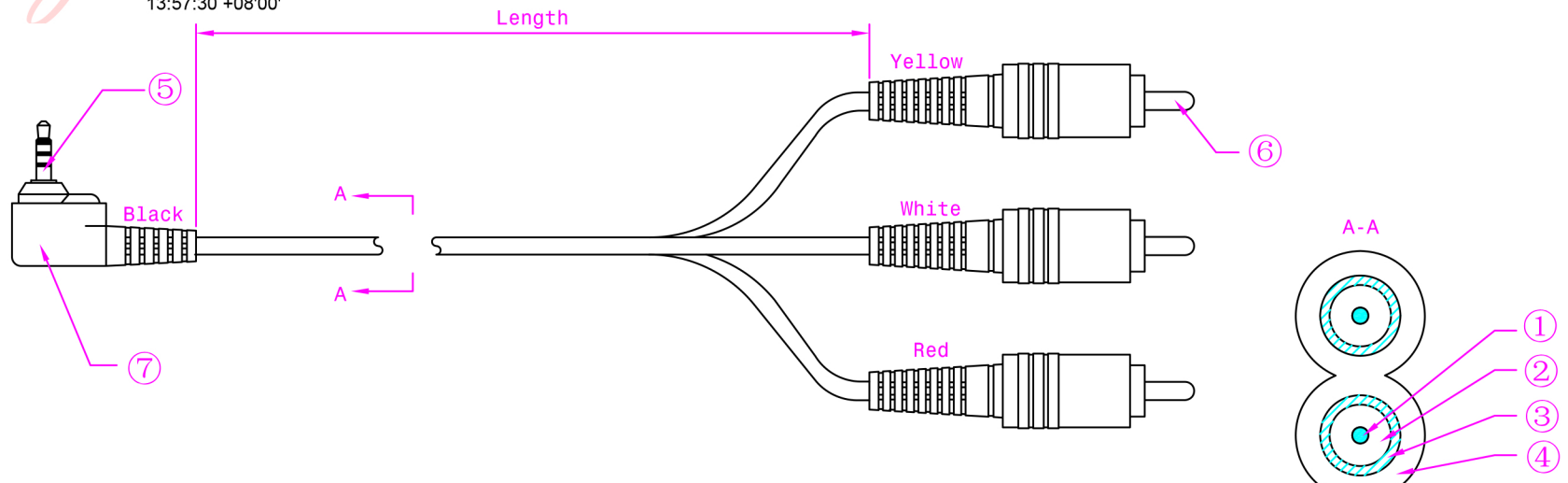




Internal
Drawing Released
DCC/CDW

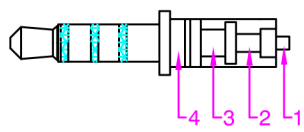
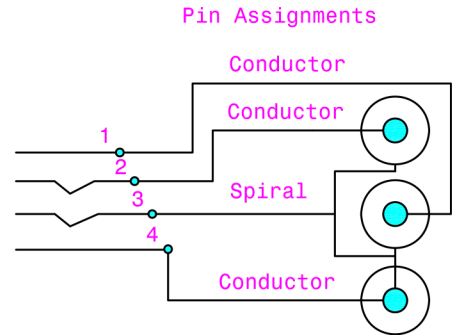
数字签名人
Chongdan Wang
DN: cn=Chongdan Wang, o=<无>, email=cwang@steren.cn
日期 2012.09.25 13:57:30 +08'00'

Rev	ECO	Note	Date	ENE Review	QA Review	Approved	Drn
2	SD0470	Add RoHS	2012-09-18	Jun Brandon	Guohong	Yiping	Huihui



Materials Specifications

No	Qty	Desc	Material	Notes
1	3	Center Conductor	Bare Copper	7xØ0.12mm
2	3	Insulation	FPE	OD:Ø1.1mm
3	3	Spiral	Copper Clad Steel	30xØ0.10mm
4	3	Jacket	PVC	Black, OD:Ø2.7mm
5	1	3.5 AV Mini-Plug	Brass	Nickel Plated
6	3	RCA Plug	Brass+ABS	Nickel Plated
7	4	Molding	PVC	Black/Yellow/White/Red



Product Family

Item	Length
255-217	3ft
255-219	6ft